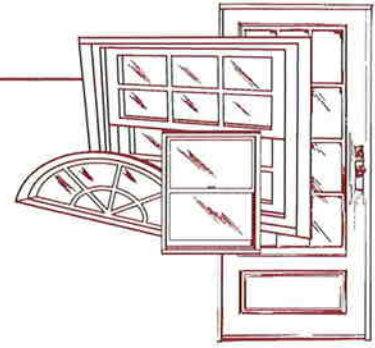


# CERTIFIED TESTING LABORATORIES

Architectural Division • 7252 Narcoossee Rd. • Orlando, FL 32822  
(407) 384-7744 • Fax (407) 384-7751  
Web Site: www.ctlarch.com  
E-mail: ctlarch.com



**Report No.:** CTLA-1743W-4  
**Report Date:** September 20, 2007

## STRUCTURAL PERFORMANCE TEST REPORT

**Test Requested By** - Glass Craft Door Co.  
2002 Brittmoore Rd.  
Houston, Texas 77043

**Tests Conducted:** ASTM E 330-02 "Test Method for Structural Performance of Exterior Windows, Curtain Walls and Doors by Uniform Static Air Pressure Difference."

### Test Specimen

**Design Pressures** In-swing +45.0psf -40.0psf (With surface bolts)

#### (1) DESCRIPTION OF SERIES:

**Model Designation** 6'-0" x 8'-0" Six Lite TDL Arch Top Hardwood Double Glazed Doors In-swing

#### **Overall Size**

**& Configuration:** Two (2) Operable In-swing Panels 74.000" wide x 99.000" high overall- X/X

#### **No. & Size of Doors**

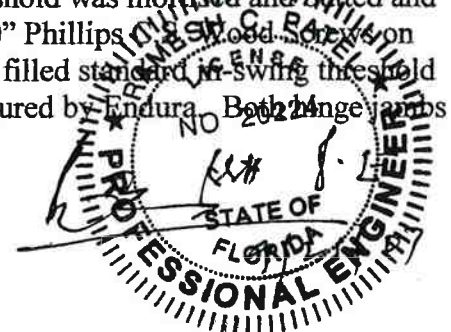
(1) Active Arch Top (six lite panel) 36.000" wide x 96.000" high  
(1) Passive Arch Top w/astragal (six lite panel) 36.750" wide x 96.000" high

#### (2) MATERIAL CHARACTERISTICS:

**Materials** - Hardwood panels, header, jambs, and astragal with an aluminum composite filled fixed In-swing threshold by Endura (As stated by manufacturer).

#### **Frame Construction** -

The double door frame consists of two (2) hinge jambs, one (1) header, and one (1) sill/threshold. Reference drawing #(TDL ARCH CTL-006). The frame is constructed of solid kerfed Hardwood and measured 4.625" wide x 1.250" thick. The frame head is mortised and butted to the side jambs and attached with four (4) #8 x 3.000" Phillips C.S. Wood Screws on each side. The threshold was mortised and butted and attached to the side jambs with three (3) #8 x 3.000" Phillips C.S. Wood Screws on each side. The sill is an aluminum fixed composite filled standard in-swing threshold that measured 5.750" wide x 1.500" high manufactured by Endura. Both hinge jambs are notched for four (4) 4.000" butt hinges.



**Panel Construction:** One (1) wood "T" Astragal was located on the lock-stile of the passive panel and **(Six Lites Passive)** was constructed of one (1) piece solid hardwood. The wood "T" Astragal measured 1.406" wide x 3.125" high x full length of panel. The "T" astragal was secured to the lock stile of the passive panel with 1.500" brad nails and an adhesive compound. The active and passive panels were constructed as follows.

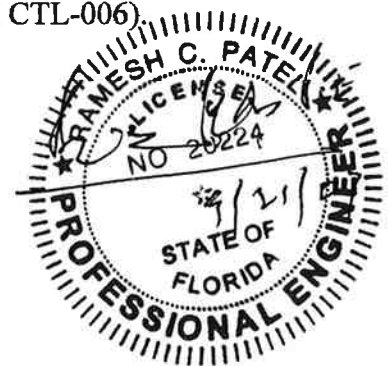
One (1) top rail measured 6.500" wide by 24.500" long by 1.750" thick and constructed with solid hardwood pieces glued together with a hardwood laminate (0.19" thick) adhered to the surface.

One (1) intermediate rail measured 6.500" wide by 24.500" long by 1.750" thick and constructed with solid hardwood pieces glued together with a hardwood laminate (0.19" thick) adhered to the surface.

One (1) Hinge-stile measured 6.0625" wide by 89.000" high by 1.750" thick and constructed with solid hardwood pieces glued together with a hardwood laminate (0.19" thick) adhered to the surface.

One (1) lock-stile measured 6.0625" wide by 96.000" high by 1.750" thick and constructed with solid hardwood pieces glued together with a hardwood laminate (0.19" thick) adhered to the surface.

One (1) bottom rail measured 9.500" wide by 24.500" long by 1.750" thick and constructed with solid Pine pieces glued together with a mahogany laminate (0.19" thick). Top rail utilized two (2) hard wood dowel (.500" x 5.000") construction with adhesive compound secured to the lock stile and the hinge stile. Intermediate rail utilized two (2) hard wood dowel (.500" x 5.000") construction with adhesive compound secured to the lock stile and the hinge stile. Bottom rail utilized four (4) hard wood dowel (.500" x 5.000") construction with adhesive compound secured to the lock stile and the hinge stile. The door panel was constructed of solid hardwood held into the stiles and rails with cope and stick construction. Panel measured 12" high x .875" thick. Reference drawing #(TDL ARCH CTL-006).



**Panel Construction:** One (1) top rail measured 6.500" wide by 24.500" long by 1.750" thick, and (Six Lites Active ) constructed with solid hardwood pieces glued together with a hardwood laminate (0.19"thick) adhered to the surface.

One (1) intermediate rail measured 6.500" wide by 24.500" long by 1.750" thick and constructed with solid hardwood pieces glued together with a hardwood laminate (0.19" thick) adhered to the surface.

One (1) Hinge-stile measured 6.0625" wide by 89.000" high by 1.750" thick and constructed with solid hardwood pieces glued together with a hardwood laminate (0.19" thick) adhered to the surface.

One (1) lock-stile measured 6.0625" wide by 96.000" high by 1.750" thick and constructed with solid hardwood pieces glued together with a hardwood laminate (0.19" thick) adhered to the surface.

One (1) bottom rail measured 9.500" wide by 24.500" long by 1.750" thick and constructed with solid hardwood pieces glued together with a hardwood laminate (0.19" thick). Top rail utilized two (2) hard wood dowel (.500" x 5.000") construction with adhesive compound secured to the lock stile and the hinge stile. Intermediate rail utilized two (2) hard wood dowel (.500" x 5.000") construction with adhesive compound secured to the lock stile and the hinge stile. Bottom rail utilized four (4) hard wood dowel (.500" x 5.000") construction with adhesive compound secured to the lock stile and the hinge stile. The door panel was constructed of solid hardwood held in to the stiles and rails with cope and stick construction. Panel measured 12" high x .875" thick. Reference drawing #(TDL ARCH CTL-006).

**Glazing Method: -**

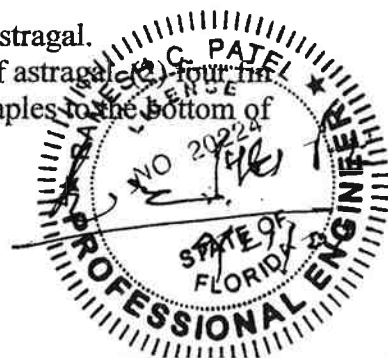
One (1) active, one (1) passive panel (six clear lite panels) consisted of : .500" overall tempered glass glazed consisting of : **One (1) interior lite:** .125" Tempered glass, .250" spacer system with an with a "U" shaped rubber insert. **One (1) exterior lite:** .125" Tempered glass. Tempered glass glazed with Tremco "Dynamic" Polyurathane with a .500" glazing bite. The divided glass inserts were captured between three vertical and two horizontal mullions that were constructed of solid hardwood. The mullions measured 1.496" wide x 1.771" high. Glass was captured on the interior perimeter of each glass panel with one (1) pieces of decorative hardwood molding strips that measured 1.419" wide x 1.030" high. Each piece of molding was secured to hinge and lock stiles and 18 Ga x 1.500" Brad nails. Reference drawing # (TDL ARCH CTL-012).

**Daylight Opening -**

- (1) Active (four lite rectangular panels) 9.250" wide x 17.5625" high
- (1) Passive(four lite rectangular panels) 9.250" wide x 17.5625" high
- (1) Active (two lite arch panels) 9.250" wide x 17.125" high
- (1) Passive(two lite arch panels) 9.250" wide x 17.125" high

**Weather-stripping**

Q-Lon weather-stripping located on the jambs, header, and Astragal. One (1) piece length of each side jamb and (1) piece length of astragal and four (4) vinyl bottom door sweeps one per each panel secured with staples to the bottom of the panels.



**Hardware** - Four (4) 4" x 4" Penrond 5/8" radius hinges per each hinge stile of the active and passive panel secured to the fixed stile utilizing four (4) # 8 x 1.000" Phillips flat head S.M.S. and frame jamb utilizing two (2) # 8 x 3.000" and two (2) # 8 x 1.000" Phillips flat head S.M.S. located at 11.000", 33.250", 55.750" and 78.000" c/l measuring from the top of each panel to the bottom . One (1) Schlage door knob and one (1) Schlage Deadbolt Grade II were inserted into a wood lock box on the lock stile of operable door. The handle set was located at 36.000" centerline from the bottom of the door panel and the deadbolt was located at 41.500" centerline from the bottom of the door panel. The metallic latch strikes for the handle set and deadbolt were located at 36.000" and 41.500" centerline from the bottom of the frame latch jamb. Specimen utilized four steel Surface bolts located at the top and bottom of active and passive door panel that measured .750" wide x 8.000" long. The surface bolts were Rockwood 580 type steel and were thru-bolted to the exterior of the lock and latch stiles with four (4) 10/32 x 1.000" Phillips F.H. Sex Bolts. There were four metallic strike plates for surface bolts to insert with two(2)at the frame head and two (2) at the sill/threshold. Reference drawing #(TDL ARCH CTL-005).

**Weepholes** - N/A

**Muntins** - N/A

**Reinforcement** - N/A

**Sealant** - Silicone caulking as needed to seal unit into rough opening.  
All hairline joints between the frames were sealed with Tight Bond II Exterior Marine glue.

**Additional Description** -

Specimen was installed in a 2" x 12" S.P.F. wood test buck.

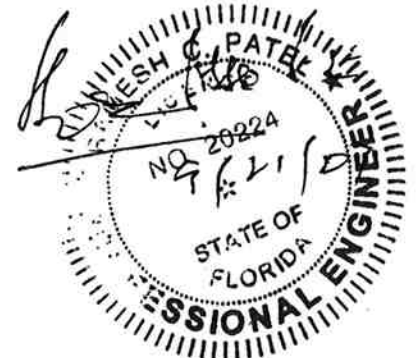
**(3) INSTALLATION:**

**Screws and Method of Attachment** – The specimen was secured to the 2" x 12" S.P.F. wood test buck as follows: Reference drawing # (TDL ARCH CTL-003).

Eight (8) # 8 x 3.000" Phillips flat head wood screws per each frame jamb (two per each hinge location) to the wood buck located at located at 9.000", 12.000", 31.000", 34.000", 53.500", 56.500, 76.000" and 79.000" measuring from frame head to frame sill/threshold.

Six (6) #10 x 3.000" Phillips flat head wood screws in the frame head– Located at 8.000", 19.000", 35.000", 42.000", 54.000" and 66.000" measuring from left jamb to right jamb.

Eight (8) # 8 x 1.250" Phillips C/S flat head S.M.S. at Frame Sill/ Threshold – Located at 6.000", 14.000", 23.000", 32.000", 41.000", 50.000", 59.000" and 68.000" measuring from left jamb to right jamb.

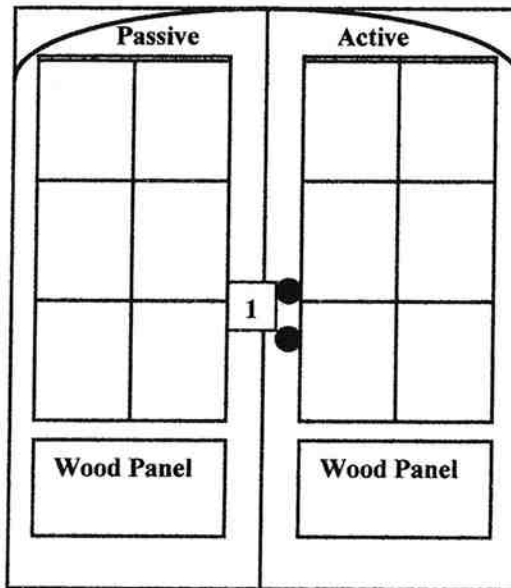


**Performance Test Results**

<u>Paragraph</u>	<u>Title of Test</u>	<u>Method</u>	<u>Measured</u>	<u>Allowed</u>
<b>ASTM E330-02</b>				
2.1.4.2/4.4.2	Uniform Load Structural			
	Permanent Deformation	Ten (10) second duration		
(D/P + 45)	@ 67.5 psf Positive	Loc #1	0.100"	0.384"
(D/P - 40)	@ 60.0 psf Negative	Loc #1	0.216"	0.384"

Location (1) - Max. allowable Perm. Set after test load at center mid-span of the vertical astragal (0.4% of 96" span) = 0.384"

**Note: Unit was tested with surface bolts on the top and bottom of active and passive panel.**



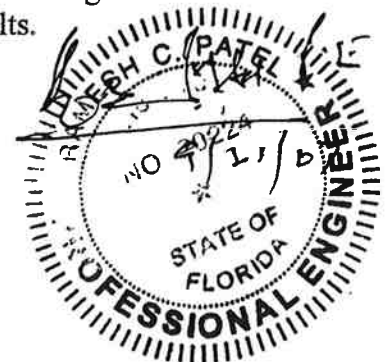
X                      X

**Test Date:** September 12, 2007 thru September 14, 2007.

**(5) DRAWINGS TO BE SUBMITTED:**

1. TDL ARCH-CTL-001 thru TDL ARCH-CTL-0017.

**Comment:** Nominal 2-mil polyethylene film was used to seal against leakage during structural loads. The film was used in a manner that did not influence the test results.



**Remarks:** The results obtained and reported apply only to the specimens tested.

Detailed drawings were available for laboratory records and comparison to the test specimen at the time of this report. A copy of this report along with representative sections of the test specimen will be retained by CTL for a period of four (4) years. The results obtained apply only to the specimen tested.

This test report does not constitute certification of this product, but only that the above test results were obtained using the designated test methods and they indicate compliance with the performance requirements (paragraphs as listed) of the above referenced specifications.

Certified Testing Laboratories assumes that all information provided by the client is accurate and that the physical and chemical properties of the components are as stated by the manufacturer.

Certified Testing Laboratories, Inc.

**Observers:**

Gene Denley- Glass Craft Door Co.

**All Tests Certified and Witnessed by**

Ramesh Patel- P.E.

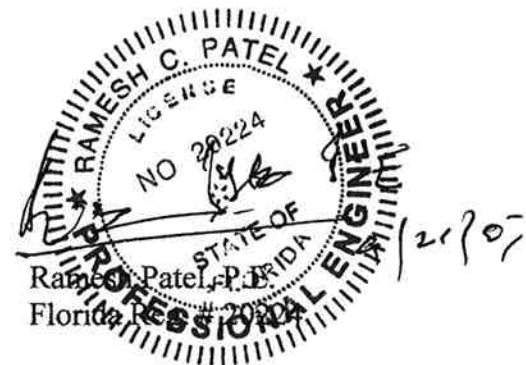
Ted Scanlon- CTL

Steve Gibbs- CTL

Gary Nations- CTL

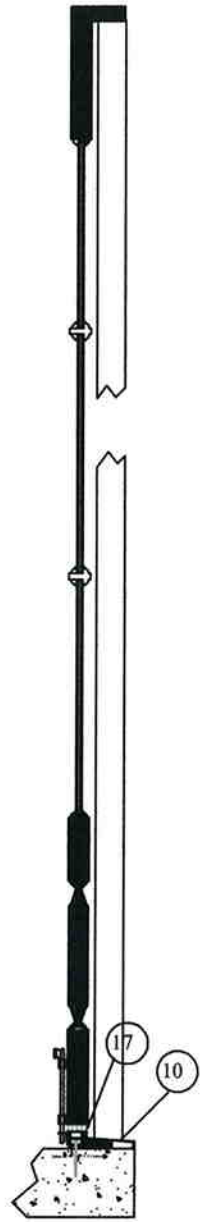
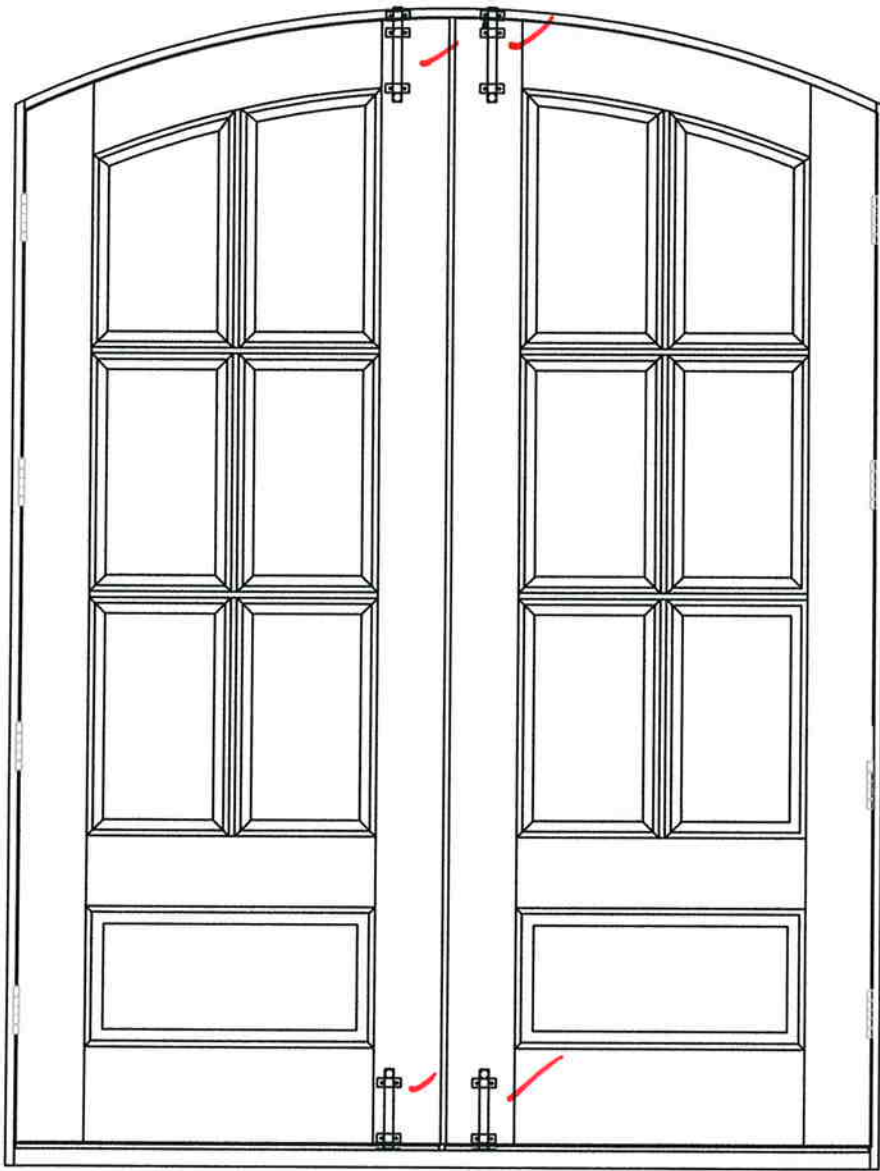


Michael Miller  
Senior Laboratory Technician  
Architectural Division



- Cc: Glass Craft Door Co. (2)
- NAMI (1)
- Ramesh Patel (1)
- File (1)





Section  
H-H

**Glass\*Craft** -CTL  
 Portobello / Estancia Arch Top 002  
 Hardwood Double Glazed Doors

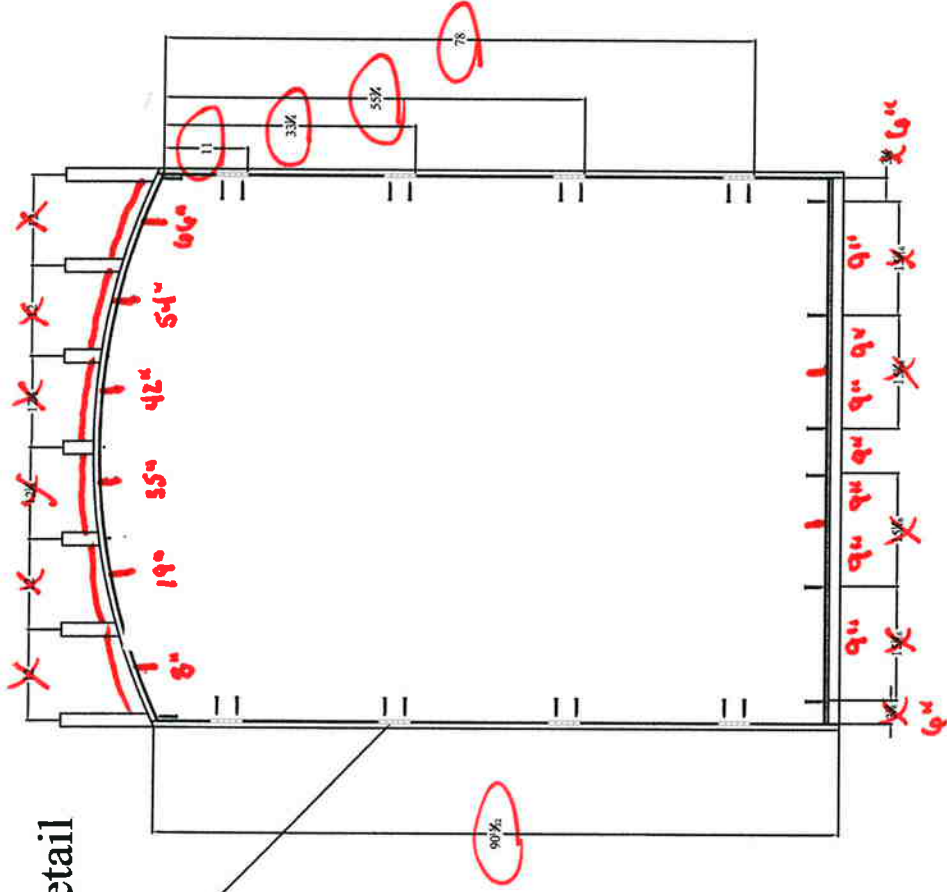


ARCHITECTURAL DIVISION  
 7252 NARCOOSSEE ROAD  
 ORLANDO, FLORIDA 32822

CTLA No. 1743W-4-1743W-5  
 Date Verified: 9-24-07  
 Verified By: K-16



See Hinge Detail



## ANCHORING DIMENSION



ARCHITECTURAL DIVISION  
7252 NARCOOSSEE ROAD  
ORLANDO, FLORIDA 32822

CTLA No. 1743W-4-1743W-5

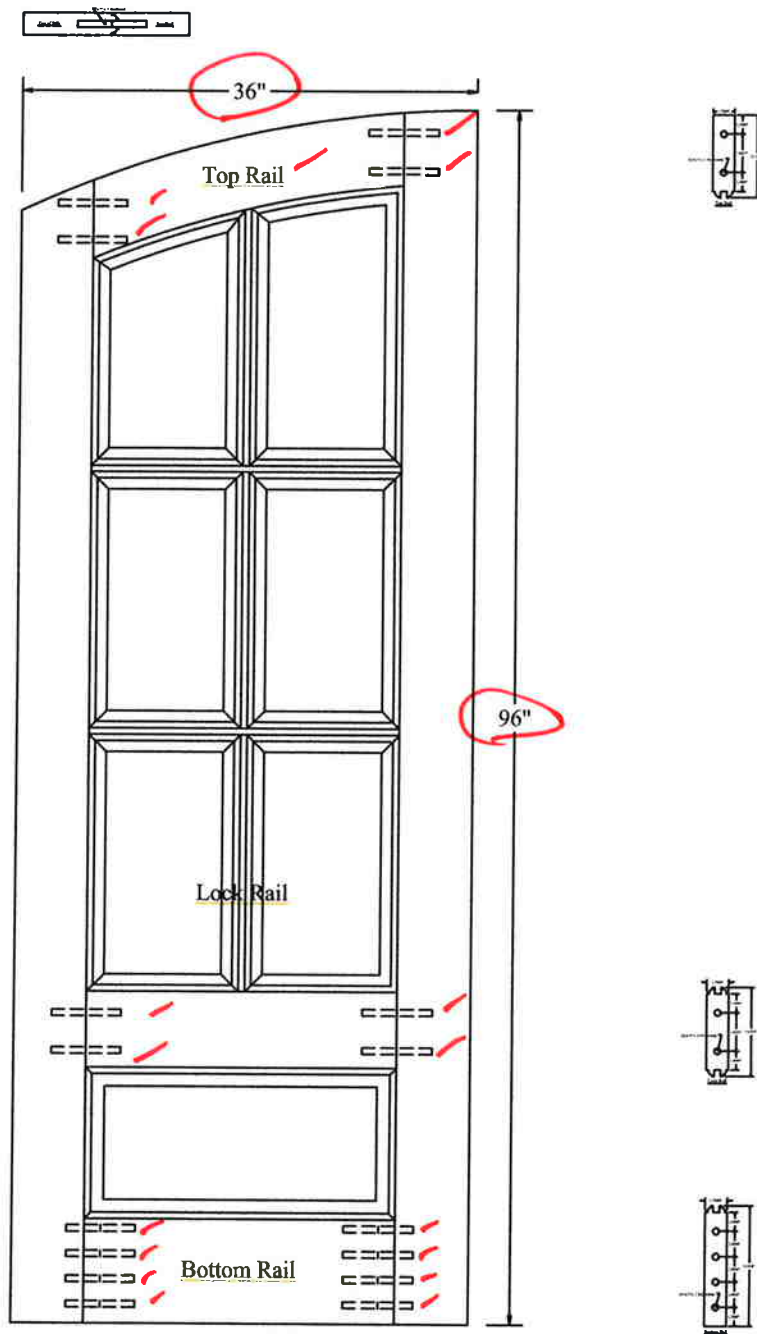
Date Verified: 9-24-07

Verified By: K-10

# Glass\*Craft

Portobello / Estancia Arch Top  
Hardwood Double Glazed Doors

CTL  
003



**CTL**  
CERTIFIED TESTING LABORATORIES

ARCHITECTURAL DIVISION  
7252 NARCOOSSEE ROAD  
ORLANDO, FLORIDA 32822

CTLA No. 1743W-4 • 1743W-5

Date Verified: 9-24-07

Verified By: K-10

**Glass\*Craft** - CTL  
Portobello / Estancia Arch Top  
Hardwood Double Glazed Doors OOS

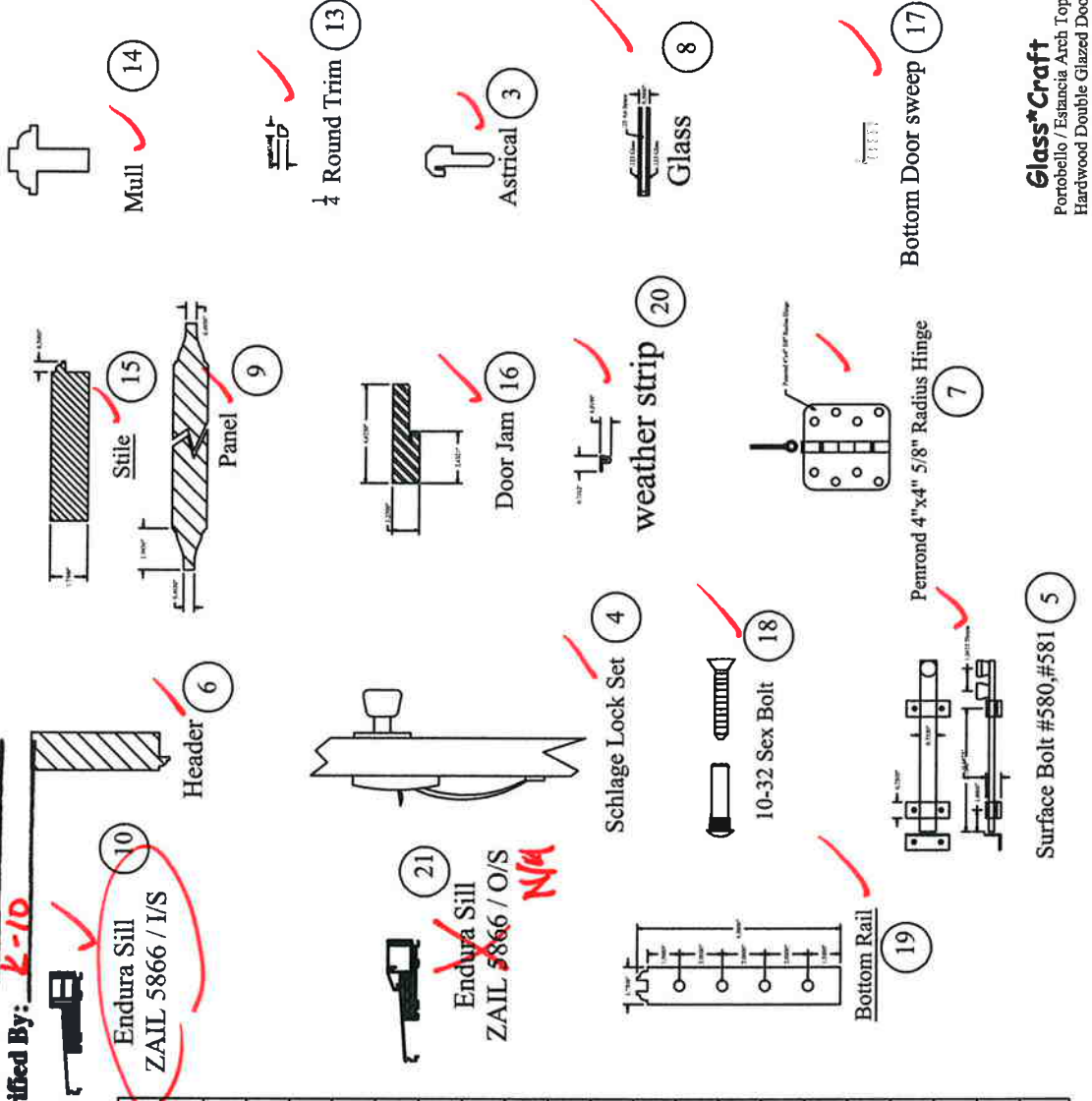
CTLA No. **1743W-4**

Date Verified: **9.24.07**

Verified By: **K-10**

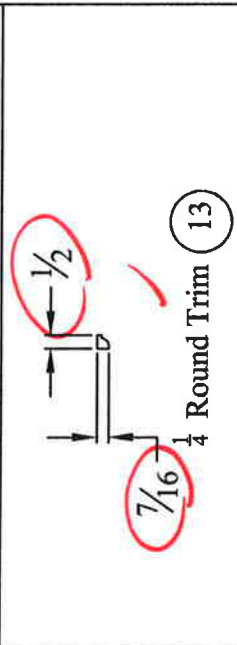
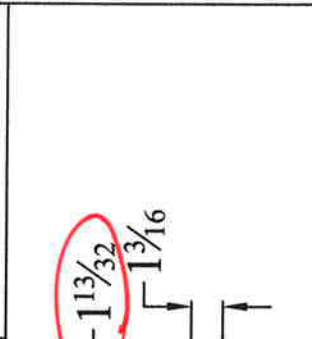
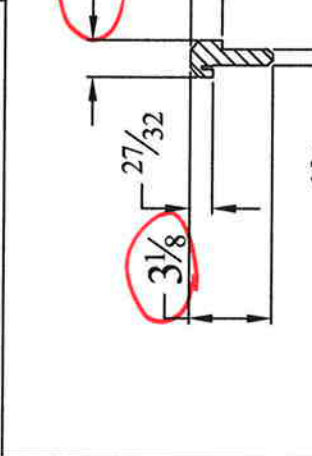
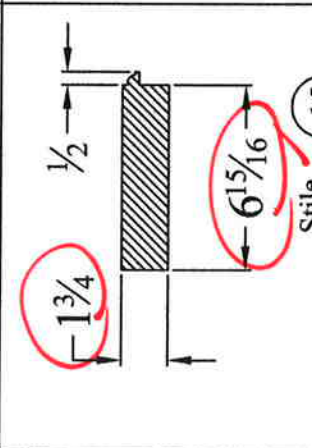
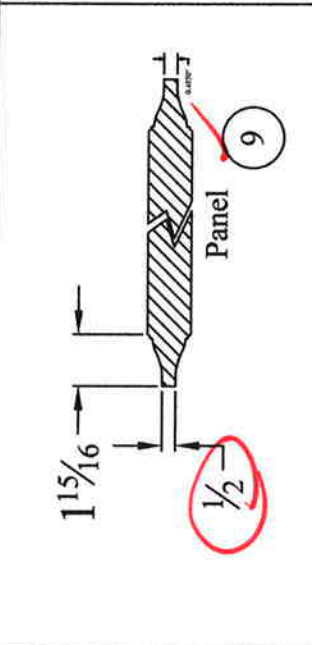
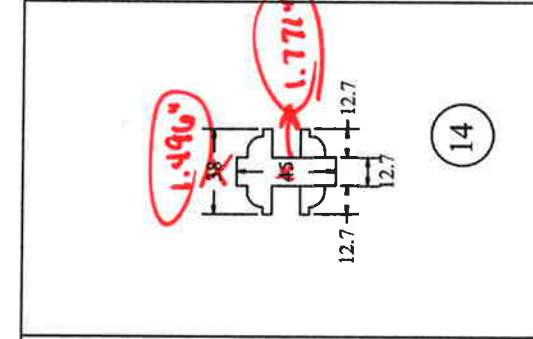
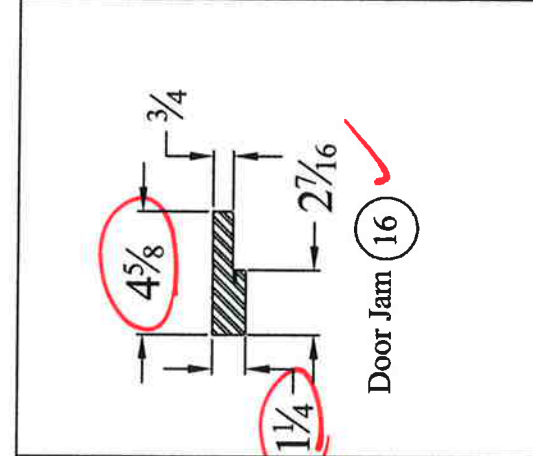
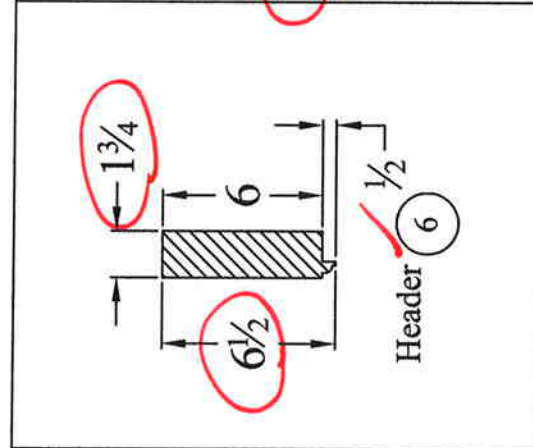
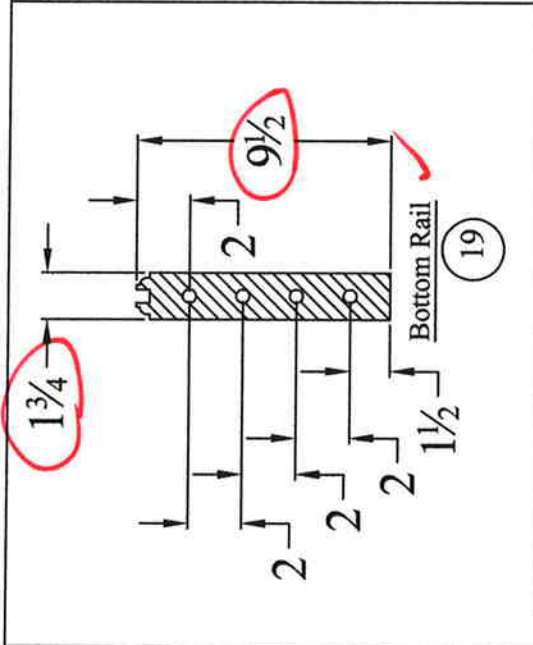
List of Material

Item #	Discription	Material
1	Masonry	CONC.
2	2x Buck	Wood
3	Astrical	Wood
4	Schlage lock Set	Metal
5	Rockwood Surface Bolts #580	Metal
6	Top Header	Wood
7	Penrond 4"x4" 5/8" Radius Hinge	Metal
8	Glass	Glass
9	Panel	Wood
10	Endura Sill ZAIL 5866 / I/S	Alum.
11	3" #9 Wood screw	Metal
12	#9x1" PFH Wood Screw	Metal
13	1/4 Round Trim	Wood
14	Mull	Wood
15	Stile	Wood
16	Door Jam	Wood
17	Bottom Door sweep	Rubber
18	10-32 Sex Bolt	Metal
19	Bottom Rail	Wood
20	weather strip	Foam
21	Endura Sill ZAIL 5866 / O/S	Alum.



CTL  
006

**Glass\*Craft**  
 Portobello / Estancia Arch Top  
 Hardwood Double Glazed Doors



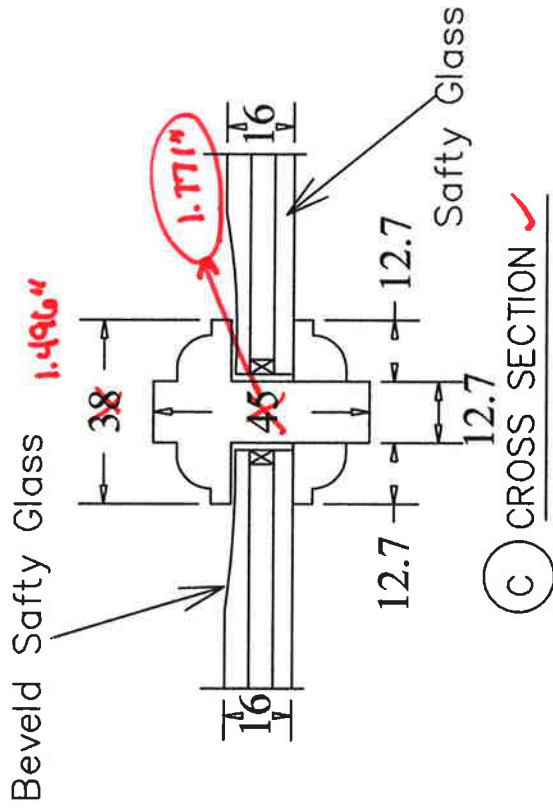
CTL  
007

**Glass\*Craft**  
Portobello / Estancia Arch Top  
Hardwood Double Glazed Doors



**ARCHITECTURAL DIVISION**  
7252 NARCOOSSEE ROAD  
ORLANDO, FLORIDA 32822

CTLA No. **1743W-4-1743W-5**  
Date Verified: **9-24-07**  
Verified By: **K-10**



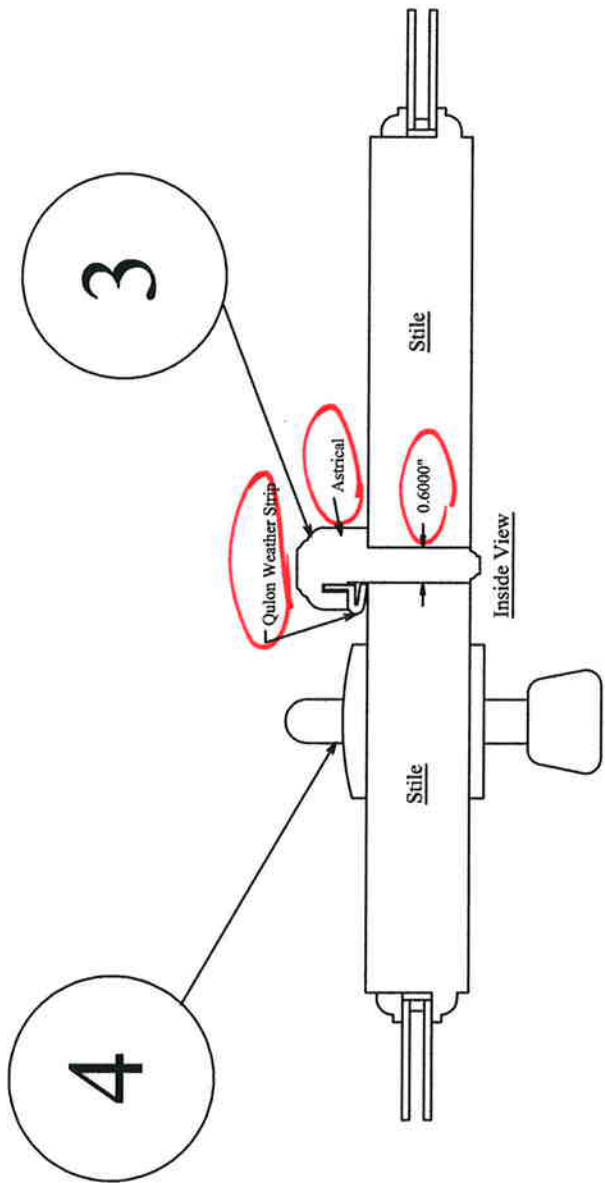
ARCHITECTURAL DIVISION  
7252 NARCOOSSEE ROAD  
ORLANDO, FLORIDA 32822

CTLA No. 1743W-4-1743W-5  
Date Verified: 9-24-07  
Verified By: K-10

# Glass\*Craft

Portobello / Estancia Arch Top  
Hardwood Double Glazed Doors

-CTL  
008



**CTLA** CERTIFIED TESTING LABORATORIES  
 ARCHITECTURAL DIVISION  
 7252 NARCOOSSEE ROAD  
 ORLANDO, FLORIDA 32822

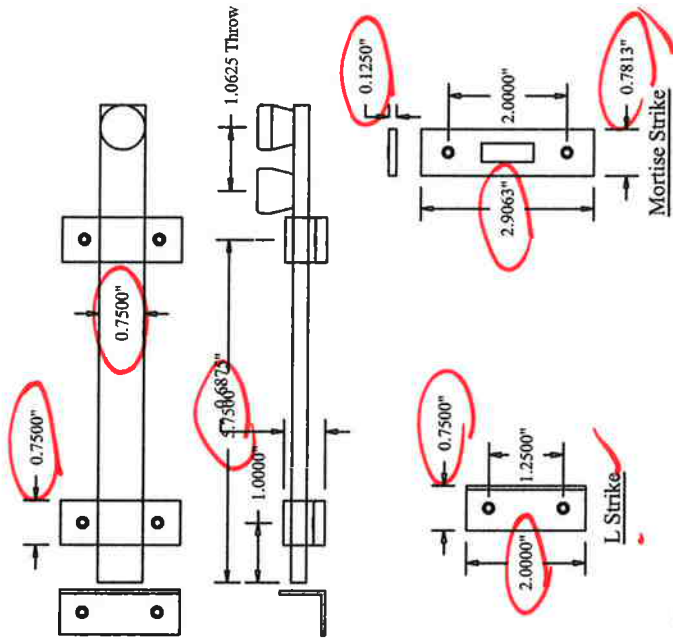
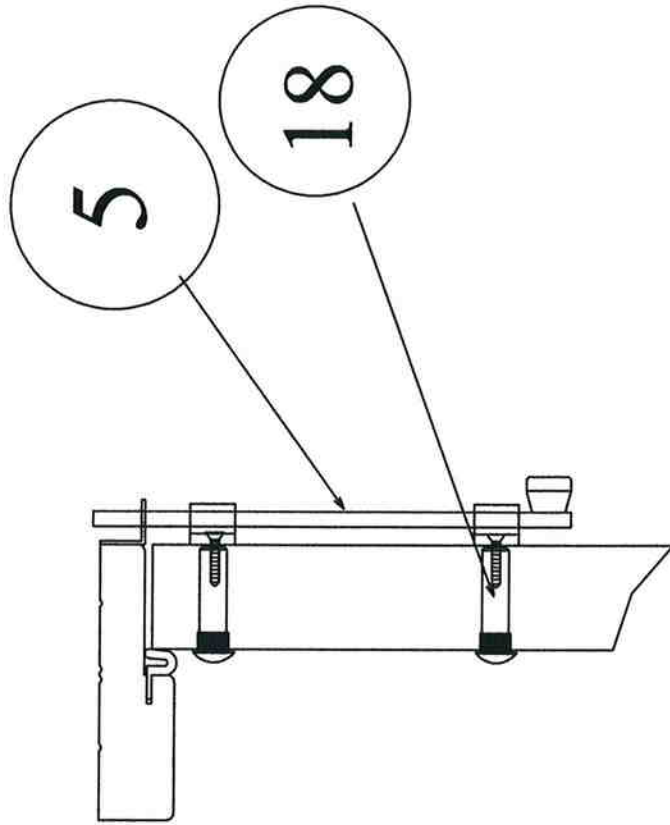
CTLA No. 1743W-4-1743W-5  
 Date Verified: 9-24-07  
 Verified By: K-ID

(G)

Astrical ✓

**Glass\*Craft**  
 Portobello / Estancia Arch Top  
 Hardwood Double Glazed Doors

-CTL  
 009



**Rockwood 580 Surface Bolt**

**Glass\*Craft**

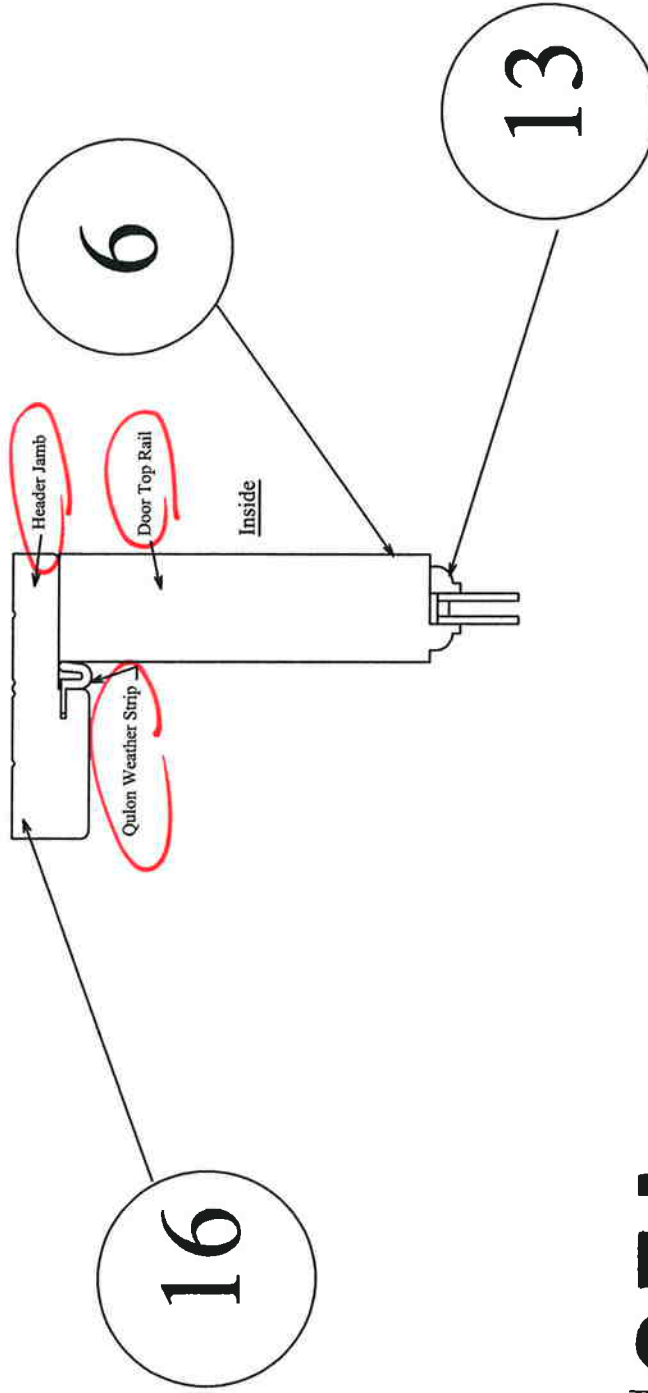
Portobello / Estancia Arch Top  
Hardwood Double Glazed Doors

-CTL  
010



**ARCHITECTURAL DIVISION**  
7252 NARCOOSSEE ROAD  
ORLANDO, FLORIDA 32822

CTLA No. 1743W-4-1743W-5  
Date Verified: 9-24-07  
Verified By: K-10



# Glass\*Craft

Portobello / Estancia Arch Top  
 Hardwood Double Glazed Doors

-CTL  
 011

(E) Header



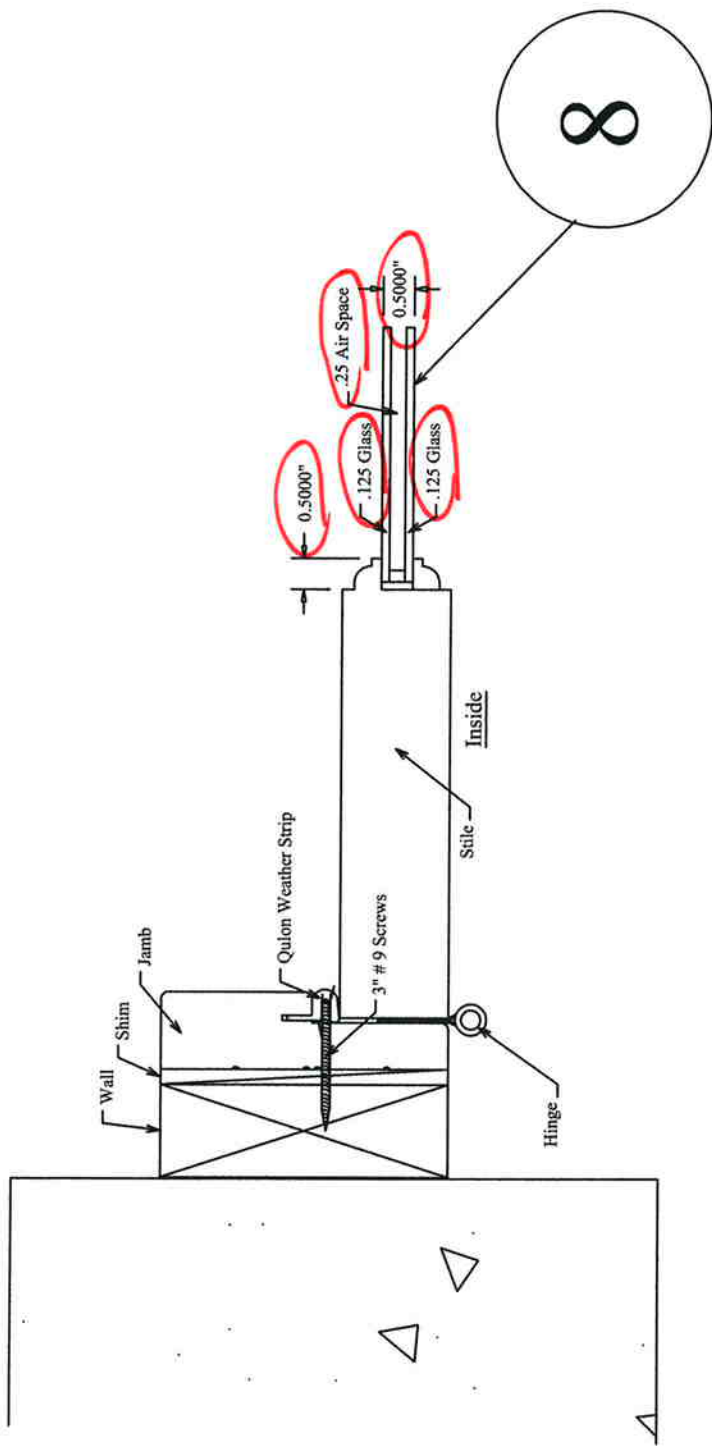
7252 NARCOOSSEE ROAD  
 ORLANDO, FLORIDA 32822

CTLA No. 1743w-4-1743w-5

Date Verified: 9-24-07

Verified By: K-10





8

# Glass\*Craft

Portobello / Estancia Arch Top  
Hardwood Double Glazed Doors

(C) Glass

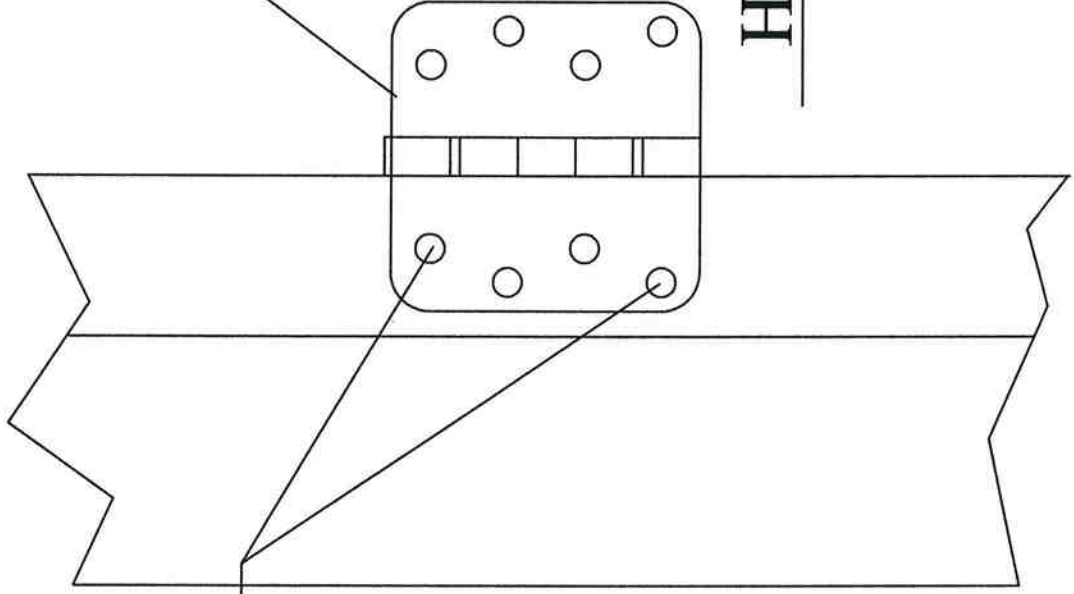
CTC  
012



ARCHITECTURAL DIVISION  
7252 NARCOOSSEE ROAD  
ORLANDO, FLORIDA 32822

CTLA No. 1742W-4-1743W-S  
Date Verified: 9-24-07  
Verified By: K-10

Penrond 4"x4" 5/8" Radius Hinge



Hinge Detail

Install (2) 3" #8 Wood Screws Per Henge.



ARCHITECTURAL DIVISION  
7252 MARCOOSSEE ROAD  
ORLANDO, FLORIDA 32822

CTLA No. 1743W-4-1743W-5

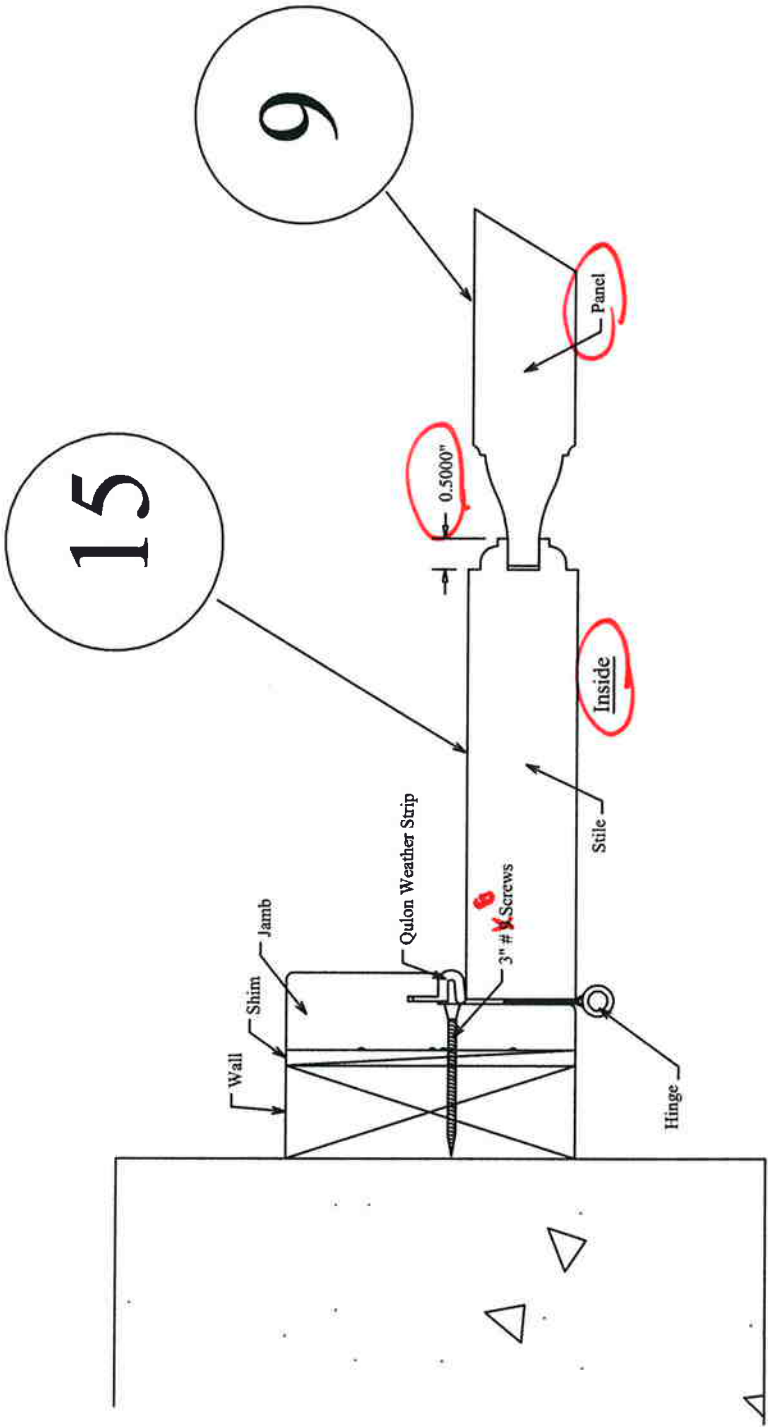
Date Verified: 9-24-07

Verified By: K-10

Glass\*Craft

Portobello / Estancia Arch Top  
Hardwood Double Glazed Doors

CTL  
013



-CTL  
014

# Glass\*Craft

Portobello / Estancia Arch Top  
Hardwood Double Glazed Doors

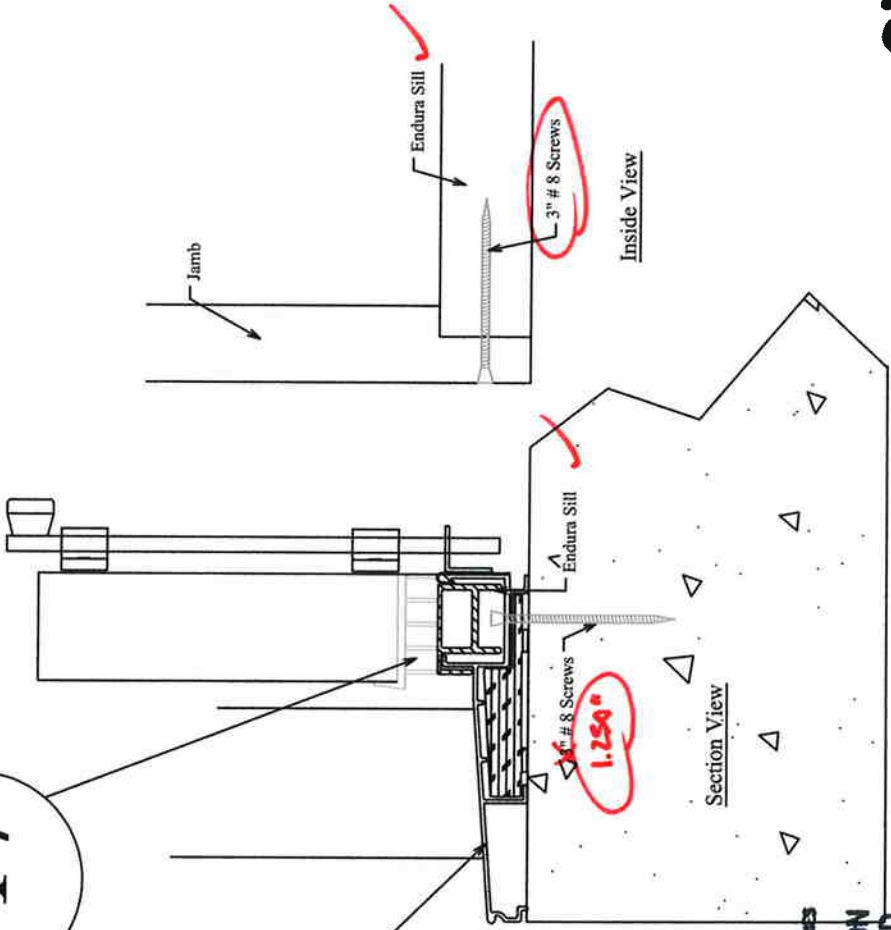
(B) Panel ✓

**CTL**  
CERTIFIED TESTING LABORATORIES  
ARCHITECTURAL DIVISION  
7252 NARCOOSSEE ROAD  
ORLANDO, FLORIDA 32822

CTLA No. 1743W-4-1743W-S  
Date Verified: 9-29-07  
Verified By: K-16

17

10



Endura Sill

**CTL**  
 CERTIFIED TESTING LABORATORIES  
 ARCHITECTURAL DIVISION  
 7252 NARCOOSSEE ROAD  
 ORLANDO, FLORIDA 32822

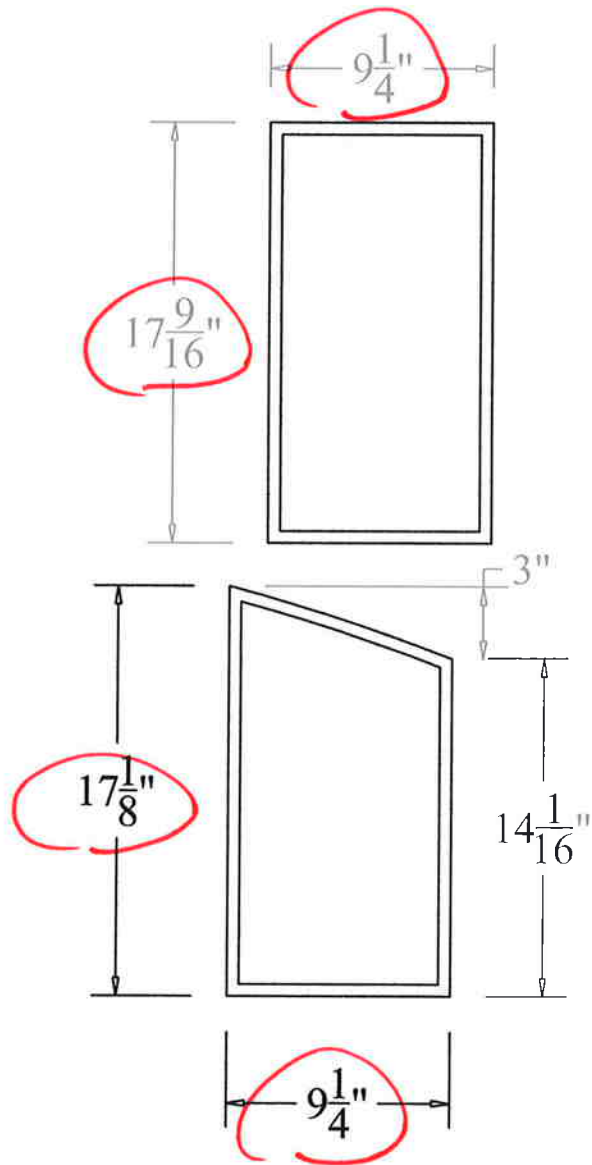
CTLA No. 1743W-4  
 Date Verified: 9-29-07  
 Verified By: lc-ro

(A) Threshold In Swing

**Glass\*Craft**

Portobello / Estancia Arch Top  
 Hardwood Double Glazed Doors

-CTZ  
015



**CTL**  
CERTIFIED TESTING LABORATORIES

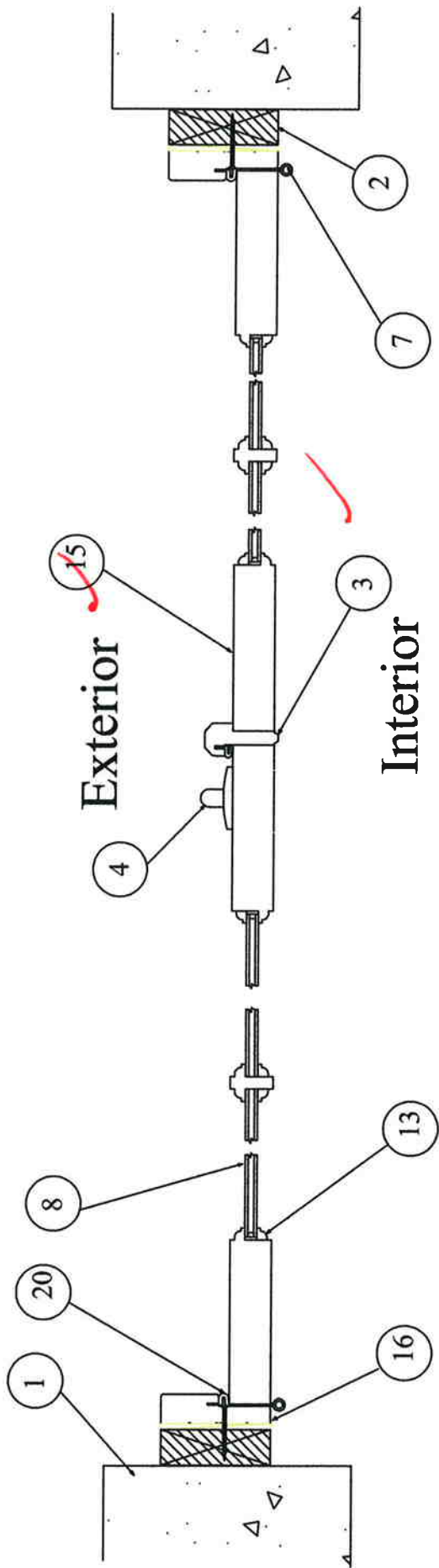
ARCHITECTURAL DIVISION  
 7252 NARCOOSSEE ROAD  
 ORLANDO, FLORIDA 32822

CTLA No. 1743W-4-1743W-5  
 Date Verified: 4-24-07  
 Verified By: K-10

## Glass\*Craft

Portobello / Estancia Arch Top  
 Hardwood Double Glazed Doors

CTL  
 016



Horizontal Cross Section

**Glass\*Craft**

Portobello / Estancia Arch Top

Hardwood Double Glazed Doors

CTL  
-017



ARCHITECTURAL DIVISION  
7252 NARCOOSSEE ROAD  
ORLANDO, FLORIDA 32822

CTLA No. 1743W-4-1743W-5

Date Verified: 9-24-07

Verified By: K-19